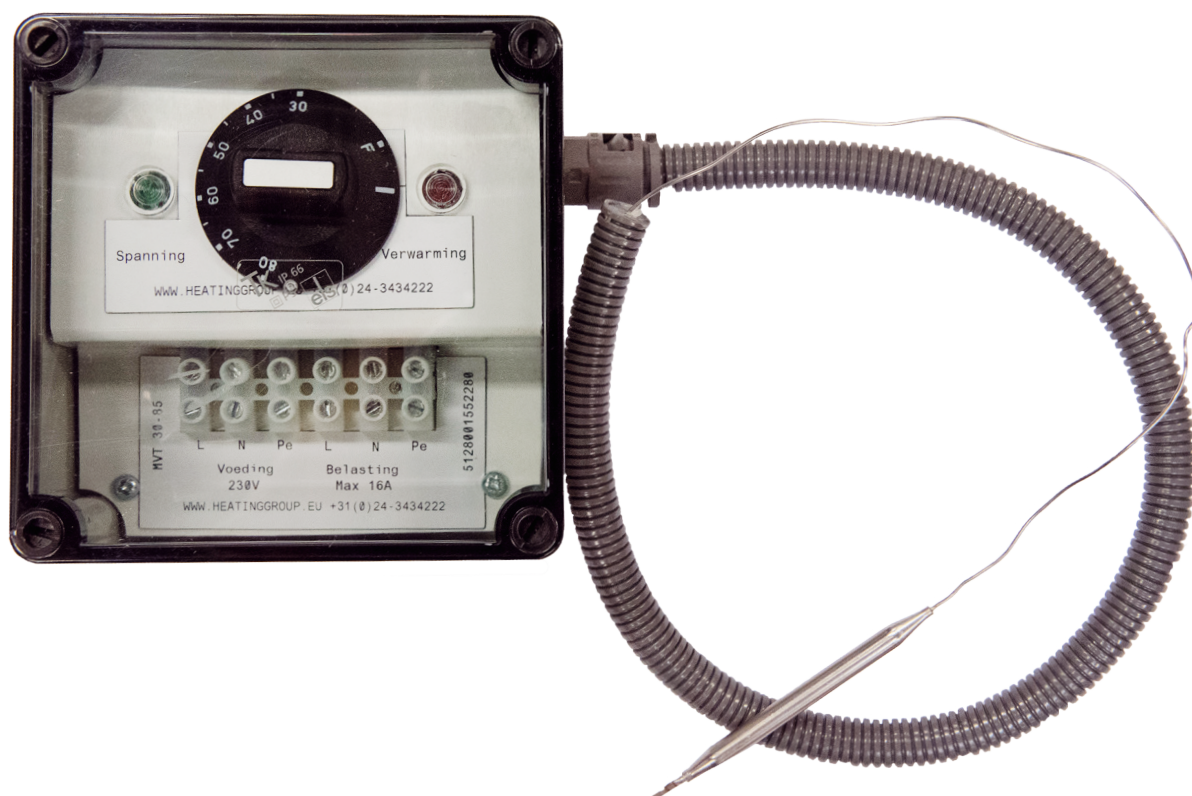




MVT thermostats



Application

Standard control boxes for:

- Self-limiting heating cables
- Constant-power heating cables
- Space heating

Types

MVT 0-40 (0-40°C)

MVT 30-85 (30-85°C)

MVT 50-320 (50-320°C)

MVT type

The Heating Group International MVT capillary thermostats are used primarily for electric heat tracing.

In addition, the version with a room sensor is also used for space heating, for example in combination with our finned tube heater or convector heater.

MVT 0-40 (0-40°C)

Cap sensor capillary probe
Contact: 16A
Housing: plastic, IP65 (130x130x75mm)
Equipped with lights for voltage and heating.
Suitable for outdoor use.

MVT 30-85 (30-85°C)

Capillary probe length: 850mm
Contact: 16A
Housing: plastic, IP65 (130x130x75mm)
Equipped with lights for voltage and heating.
Suitable for outdoor use.

MVT 0-40 (0-40°C)

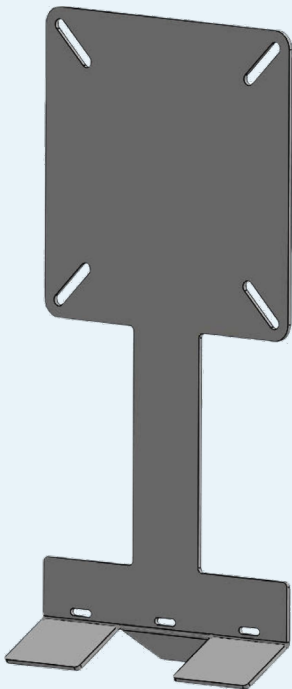
Capillary probe length: 850mm
Contact: 16A
Housing: plastic, IP65 (130x130x75mm)
Equipped with lights for voltage and heating.
Suitable for outdoor use.

MVT 50-320 (50-320°C)

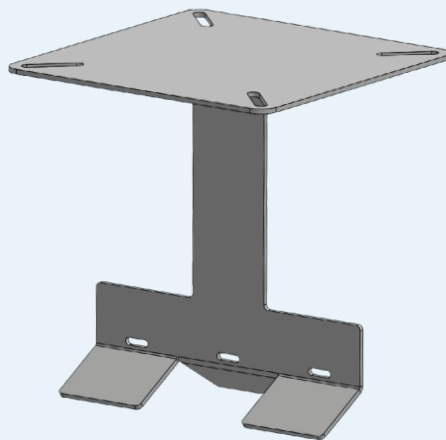
Capillary probe length: 850mm
Contact: 16A
Housing: plastic, IP65 (130x130x75mm)
Equipped with lights for voltage and heating.
Suitable for outdoor use.

Options

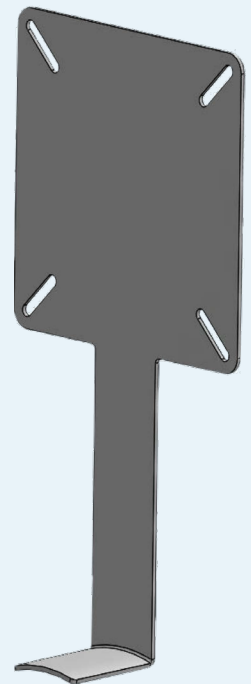
All types of Heating Group International MVT capillary thermostat can be supplied with an optional mounting bracket. Three variants are available: Tangential, Radial and Axial.



Tangential



Radial



Axial